

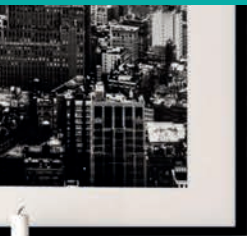
adaptmyhome.co.uk

Homelifts

Residential Elevator

t: 029 20 611 277

Taking your home
to the next level



Market leading technology for home access

Add a touch of luxury with a premium Residential Elevator



Images for guidance only

Travel in style and with ease within your home with our elegant Residential Elevator, and enjoy where you live both now and in the future.

Providing smooth and quiet through-floor travel, the elevator includes external controls on both floors, and is equipped with our **Intelligent Logic Diagnostic Display** offering a wealth of benefits to the user.

Quick and easy to install, the lift is located close to the wall but is not attached to the wall. When the lift is not in the room you can enjoy all of your living space - an impressive addition to any home.

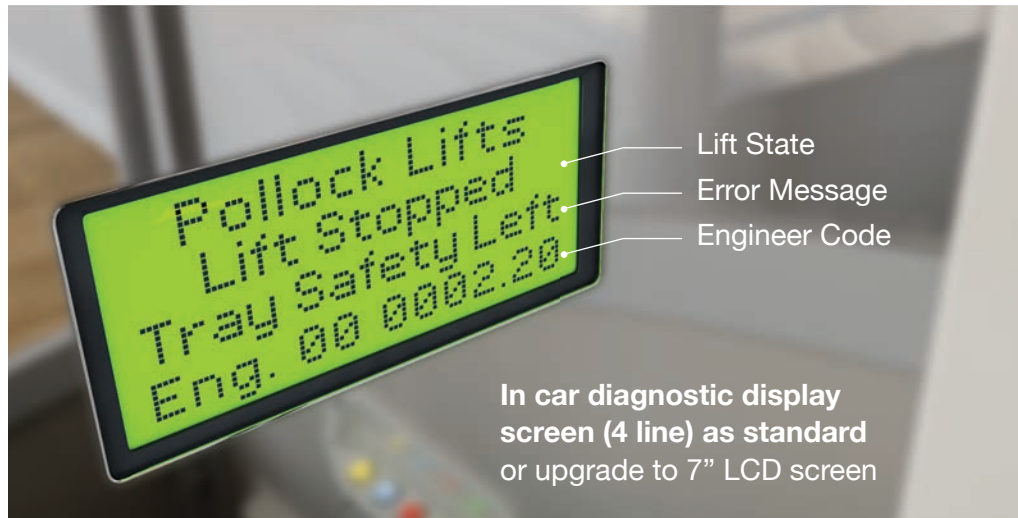
UNIQUE TO
POLLOCK HOMELIFTS

Intelligent Logic Diagnostic Interface

Pollock Lifts, operating since 1983, are UK's leading homelift manufacturer and the ultimate choice for adding value to home access through the latest technology.

Our innovatory digital control system brings a wealth of benefits not only for end users but also for installers and service engineers with easier installation process, simplified servicing and reduced fault finding.

From installation to operation, every detail has been designed with you in mind.



In car diagnostic display screen (4 line) as standard or upgrade to 7" LCD screen

2000 Cycles

Trip Counter

tracks number of travel cycles throughout lift lifespan



Service Due Indicator

with overdue notification ensuring regular maintenance

Error-00 0300.01
Error-00 0300.02
Error-00 0300.03
Error-00 0300.04

Lift Fault Memory Log

on board system for service engineers

Pollock Lifts
Lift Stopped
Tray Safety Left
Eng. 00 0002.20

Fault Source Identified

enabling simple issues to be fixed over the phone



Self-check Safety

prior to commissioning for extra safety assurance



Lift Deactivation System



Bluetooth option

to operate lift remotely using your phone



Voice Activation option

for Alexa integration - get Alexa to call the lift for you



Features and options to make it your own


Configurations to suit your lifestyle

	Standard Features	Options
Lift System		
Drive	Traction Drive	Hydraulic Drive
Capacity	255kg	-
Rated Speed	0.08m/s	Fast Motor - 0.15m/s (Traction only)
Cabin Height	1900mm	1800mm or 2000mm
Travel - Traction Drive	4.2m	Extended travel up to 4.8m
Travel - Hydraulic Drive option	3.4m	n/a
Rail Guards	Transparent	-
1st Floor Fix	Ceiling Fix	Wall Fix
Emergency Battery Backup	Yes	-
Cabin Features		
Lift Colour	RAL 7035	Custom Colour
Vision Panels	4mm Acrylic	10mm Acrylic
Rear Side Panels	RAL 7042	Mirror or Custom
Flooring	Grey Anti-slip Vinyl	Marble or Oak effect vinyl, or Custom
LED Lighting	White	Colour changing
Door Handrail	Yes	-
Cabin Handrail	No	Yes (RAL 7035), with or without controls
Tip-up Seat	No	120kg Tip-up Seat
Custom Finish	No	Price on Request
Operation		
Controls	Remote (radio)	Surface or Flush (wired)
Diagnostic Display	4 Line LCD	7" Colour LCD
Door Operation	Manual	Powered
Emergency Telephone	Yes	Autodialler
Alarm	Yes	-

Choose the size option that works for you

Available in 3 sizes and 3 cabin heights, you can choose the configuration that best suits your requirements and room dimensions.

The Residential Elevator can be installed in any room, according to your desired travel within your home and room floor plans.

 **Compact**
single person

 **Twin**
two person

 **Large**
extra cabin depth

 **Cabin Heights**
1800, 1900 or 2000mm

Control the lighting to suit your mood

Why only have white LED lighting when you can enjoy a full spectrum of lighting colours?

Select the optional colour changing LED lighting with remote control.



7" Colour LCD Display



Cabin handrail with controls



In-car emergency telephone



Tip-up seat



Oak effect vinyl flooring



Shallow ramp - only 19mm

Enjoy the benefits of a Traction Drive system

Our Residential Elevator uses Traction Drive as standard to provide the most comfortable travel experience and installation and operational benefits.

- Soft start/stop
- Quieter travel
- Self-contained unit
- Smaller footprint
- Higher travel distance
- Less expensive to run
- Environmentally friendly

“

We love our Residential Elevator. Quiet and stylish - we were able to choose colours that perfectly matched our decor and the service from Pollock Homelifts was outstanding.

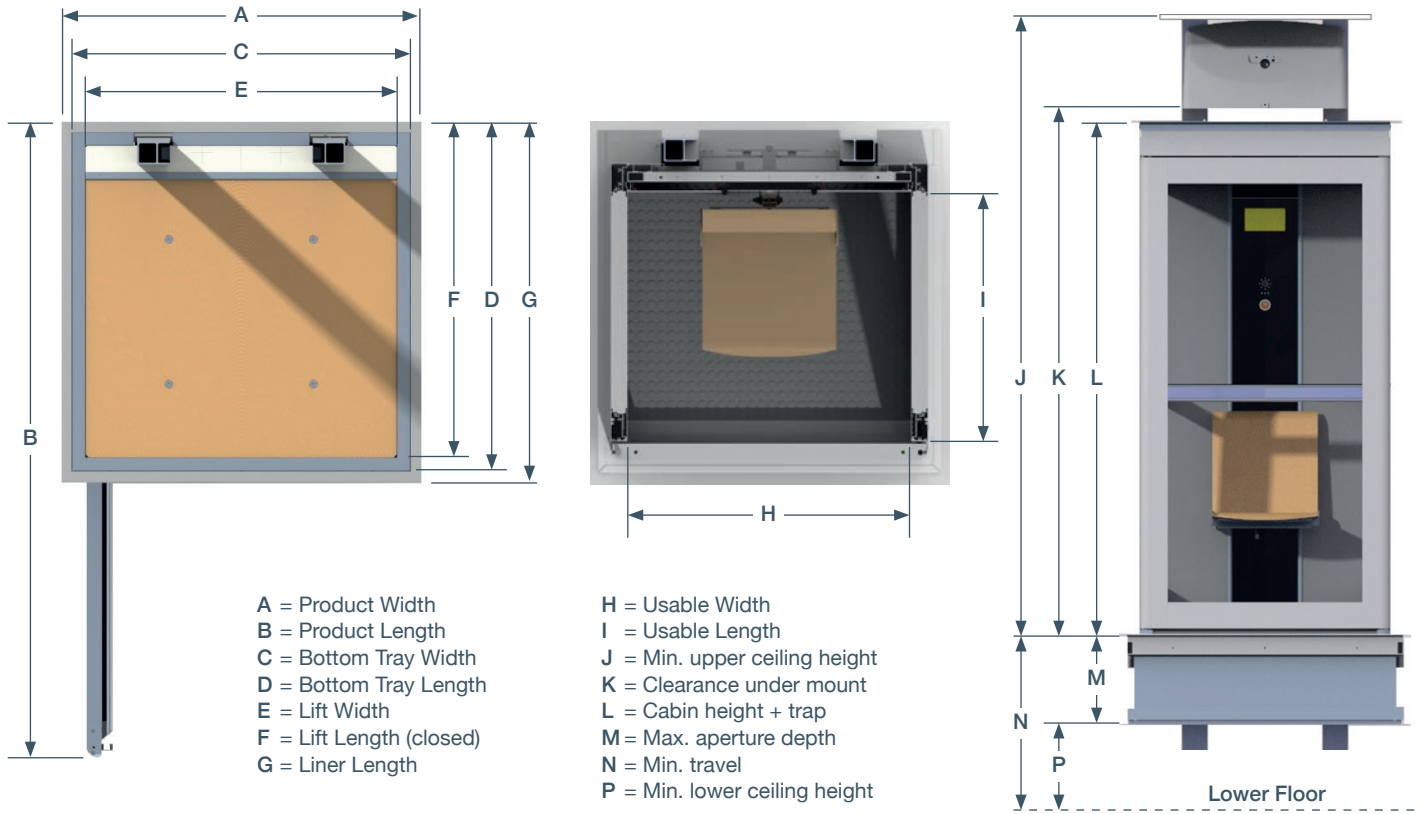
”

A modern, white, glass-enclosed home lift is the central focus of the image. It is positioned in a contemporary living space with a dark teal wall and a light wood floor. To the left, a black tripod lamp with a white shade is visible. To the right, a kitchen counter with a sink and faucet is partially seen. The lift has a white frame and glass panels, with a control panel on the left side. The ceiling is white with recessed lighting. A large teal arrow graphic points from the top left towards the lift.

adaptmyhome.co.uk
Homelifts

Taking your home to the next level
Call now on **029 20 611 277**

Technical Specifications



Lift Footprint	A	B	C	D	E	F	G	H	I
Compact 542mm x 750mm	790mm	1620mm	720mm	1063mm	642mm	1025mm	1098mm	542mm	750mm
Twin 850mm x 750mm	1098mm	1928mm	1028mm	1063mm	950mm	1025mm	1098mm	850mm	750mm
Large 850mm x 1250mm	1098mm	2428mm	1028mm	1563mm	950mm	1525mm	1598mm	850mm	1250mm

Lift Height	J standard motor	J fast motor	K	L	M	N min	N max	P min
Traction 1.8m cabin	2285mm	2410mm	1982mm	1957mm	450mm	2000mm	4200mm	1850mm
Traction 1.9m cabin	2385mm	2510mm	2082mm	2057mm	450mm	2100mm	4200mm	1950mm
Traction 2.0m cabin	2485mm	2610mm	2182mm	2157mm	450mm	2200mm	4200mm	2050mm
Hydraulic 1.8m cabin		2090mm	2070mm*	1950mm	450mm	2000mm	2930mm	1850mm
Hydraulic 1.9m cabin		2190mm	2170mm*	2050mm	450mm	2100mm	3090mm	1950mm
Hydraulic 2.0m cabin		2290mm	2270mm*	2150mm	450mm	2200mm	3390mm	2050mm

* Measured to underside of spreader board

Pollock Lifts seeks to continually improve its products; therefore the information in this brochure may be subject to change.

As part of our ongoing research and development the spec of the lift may change from time to time - unit shown is for guidance only. Final specification as per individual quotation.

Manufactured to the highest safety standards

All our lifts are compliant with international standards and quality requirements.



ETL Approved to
ASME 17.1 and 17.5, and CSA B44.1



160 Heol Llanishen Fach

Cardiff

CF14 6RG

t: 029 20 611 277

e: hello@adaptmyhome.co.uk

w: www.adaptmyhome.co.uk

adaptmyhome.CO.UK